

Heavy Duty Hinges

Stainless Steel, with Enhanced Strength, Horizontally Elongated / for Particularly Aggressive Environments (A4)

SPECIFICATION

Types

- Type **A**: With bores for countersunk screws
- Type **B**: With bores for countersunk screws and centering attachments

Version NI

Hinge leaves

Stainless steel, German Material No. 1.4405 **NI**
Martensite (C1)

- Matte shot-blasted finish **GS**
- Powder coated
Black, RAL 9005, textured finish **SW**

Hinge pin

Stainless steel AISI 440B
• Tempered
• With special grease lubricated

Shim washers

Stainless steel AISI 301
With special grease lubricated

Version A4

Hinge leaves

Stainless steel AISI 316 **A4**
Matte shot-blasted finish **GS**

Hinge pin

Stainless steel AISI 318LN
• Nickel plated
• With special grease lubricated, FDA compliant, class H1

Shim washers

Stainless steel AISI 316Ti
With special grease lubricated, FDA compliant, class H1

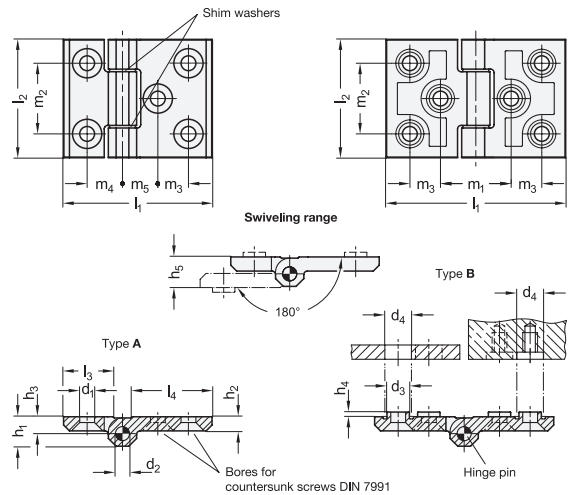
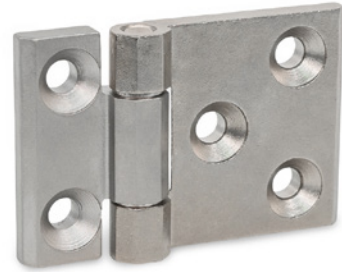
INFORMATION

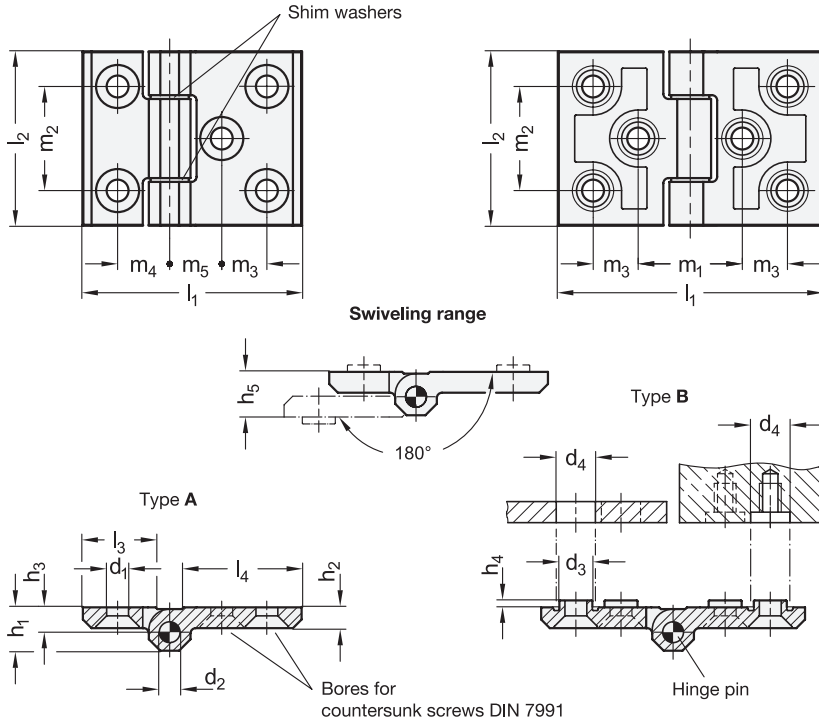
Horizontally elongated heavy duty hinges GN 237.3 are designed for use under tough conditions. Attachment points with a wider spacing and more installation holes allow a more effective introduction of force into the mounting surface. The hinge pins are integral and allow the hinges to be used in environments with strong vibrations and shocks.

The material of the hinge leaves (Version NI) is very robust and, thanks to the martensite structure, is suitable for use in aggressive environments, albeit subject to some restrictions. The heavy-duty hinges (Version A4) can also be used in particularly aggressive environments thanks to the materials used. Wear is minimized by the effective friction pairing of the hinge components and lubrication. The type B hinge has centering attachments that prevent lateral slippage under high loads and protect the mounting screws from impermissible transverse force.

TECHNICAL INFORMATION

- Stainless Steel Characteristics (see page A26)
- Load Rating Information of Metal Hinges (see page A40)





GN 237.3-NI-A

STAINLESS STEEL

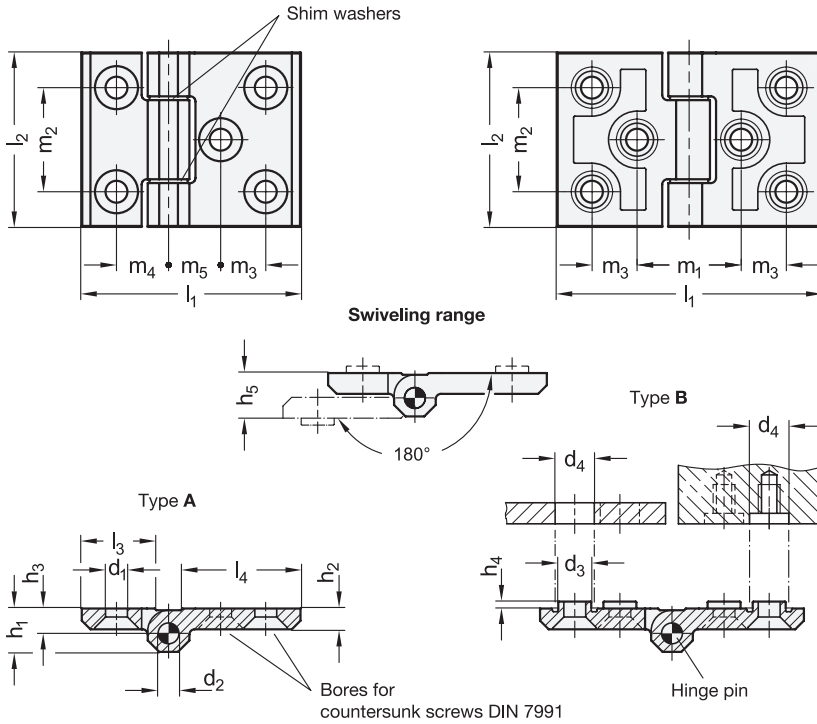
Description	h elongated on one sides	h elongated on both sides	l ₂	d ₁	d ₂	d ₃	d ₄ +0.5	h ₁	h ₂	h ₃	h ₄	h ₅	l ₃	l ₄	m ₁	m ₂	m ₃	m ₄	m ₅	⚖
GN 237.3-NI-63-50-A-GS	63	-	50	6.3	6	9.5	10	12.5	6	6.5	2	13	21	34	-	30	13	15	15	140
GN 237.3-NI-63-50-A-SW	63	-	50	6.3	6	9.5	10	12.5	6	6.5	2	13	21	34	-	30	13	15	15	140
GN 237.3-NI-76-50-A-GS	-	76	50	6.3	6	9.5	10	12.5	6	6.5	2	13	34	34	30	30	13	-	-	166
GN 237.3-NI-76-50-A-SW	-	76	50	6.3	6	9.5	10	12.5	6	6.5	2	13	34	34	30	30	13	-	-	166
GN 237.3-NI-90-60-A-GS	90	-	60	8.3	8	12.5	13	16	8	8.5	3	17	25.5	56	-	36	22.5	18	22.5	316
GN 237.3-NI-90-60-A-SW	90	-	60	8.3	8	12.5	13	16	8	8.5	3	17	25.5	56	-	36	22.5	18	22.5	316
GN 237.3-NI-120-60-A-GS	-	120	60	8.3	8	12.5	13	16	8	8.5	3	17	56	56	45	36	22.5	-	-	410
GN 237.3-NI-120-60-A-SW	-	120	60	8.3	8	12.5	13	16	8	8.5	3	17	56	56	45	36	22.5	-	-	410
GN 237.3-NI-120-80-A-GS	120	-	80	10.3	10	14.5	15	20	10	10.5	4	21	36	75	-	50	30	25	30	701
GN 237.3-NI-120-80-A-SW	120	-	80	10.3	10	14.5	15	20	10	10.5	4	21	36	75	-	50	30	25	30	701
GN 237.3-NI-160-80-A-GS	-	160	80	10.3	10	14.5	15	20	10	10.5	4	21	75	75	60	50	30	-	-	915
GN 237.3-NI-160-80-A-SW	-	160	80	10.3	10	14.5	15	20	10	10.5	4	21	75	75	60	50	30	-	-	915

GN 237.3-NI-B

STAINLESS STEEL

Description	h elongated on one sides	h elongated on both sides	l ₂	d ₁	d ₂	d ₃	d ₄ +0.5	h ₁	h ₂	h ₃	h ₄	h ₅	l ₃	l ₄	m ₁	m ₂	m ₃	m ₄	m ₅	⚖
GN 237.3-NI-63-50-B-GS	63	-	50	6.3	6	9.5	10	12.5	6	6.5	2	13	21	34	-	30	13	15	15	143
GN 237.3-NI-63-50-B-SW	63	-	50	6.3	6	9.5	10	12.5	6	6.5	2	13	21	34	-	30	13	15	15	143
GN 237.3-NI-76-50-B-GS	-	76	50	6.3	6	9.5	10	12.5	6	6.5	2	13	34	34	30	30	13	-	-	169
GN 237.3-NI-76-50-B-SW	-	76	50	6.3	6	9.5	10	12.5	6	6.5	2	13	34	34	30	30	13	-	-	169
GN 237.3-NI-90-60-B-GS	90	-	60	8.3	8	12.5	13	16	8	8.5	3	17	25.5	56	-	36	22.5	18	22.5	320
GN 237.3-NI-90-60-B-SW	90	-	60	8.3	8	12.5	13	16	8	8.5	3	17	25.5	56	-	36	22.5	18	22.5	320
GN 237.3-NI-120-60-B-GS	-	120	60	8.3	8	12.5	13	16	8	8.5	3	17	56	56	45	36	22.5	-	-	423
GN 237.3-NI-120-60-B-SW	-	120	60	8.3	8	12.5	13	16	8	8.5	3	17	56	56	45	36	22.5	-	-	423
GN 237.3-NI-120-80-B-GS	120	-	80	10.3	10	14.5	15	20	10	10.5	4	21	36	75	-	50	30	25	30	712
GN 237.3-NI-120-80-B-SW	120	-	80	10.3	10	14.5	15	20	10	10.5	4	21	36	75	-	50	30	25	30	712
GN 237.3-NI-160-80-B-GS	-	160	80	10.3	10	14.5	15	20	10	10.5	4	21	75	75	60	50	30	-	-	910
GN 237.3-NI-160-80-B-SW	-	160	80	10.3	10	14.5	15	20	10	10.5	4	21	75	75	60	50	30	-	-	910





GN 237.3-A4-A

STAINLESS STEEL

Description	l ₁ elongated on one sides	l ₁ elongated on both sides	l ₂	d ₁	d ₂	d ₃	d ₄ +0.5	h ₁	h ₂	h ₃	h ₄	h ₅	l ₃	l ₄	m ₁	m ₂	m ₃	m ₄	m ₅	⚖
GN 237.3-A4-63-50-A-GS	63	-	50	6.3	6	9.5	10	12.5	6	6.5	2	13	21	34	-	30	13	15	15	140
GN 237.3-A4-76-50-A-GS	-	76	50	6.3	6	9.5	10	12.5	6	6.5	2	13	34	34	30	30	13	-	-	166
GN 237.3-A4-90-60-A-GS	90	-	60	8.3	8	12.5	13	16	8	8.5	3	17	25.5	56	-	36	22.5	18	22.5	316
GN 237.3-A4-120-60-A-GS	-	120	60	8.3	8	12.5	13	16	8	8.5	3	17	56	56	45	36	22.5	-	-	410
GN 237.3-A4-120-80-A-GS	120	-	80	10.3	10	14.5	15	20	10	10.5	4	21	36	75	-	50	30	25	30	701
GN 237.3-A4-160-80-A-GS	-	160	80	10.3	10	14.5	15	20	10	10.5	4	21	75	75	60	50	30	-	-	915

GN 237.3-A4-B

STAINLESS STEEL

Description	l ₁ elongated on one sides	l ₁ elongated on both sides	l ₂	d ₁	d ₂	d ₃	d ₄ +0.5	h ₁	h ₂	h ₃	h ₄	h ₅	l ₃	l ₄	m ₁	m ₂	m ₃	m ₄	m ₅	⚖
GN 237.3-A4-63-50-B-GS	63	-	50	6.3	6	9.5	10	12.5	6	6.5	2	13	21	34	-	30	13	15	15	143
GN 237.3-A4-76-50-B-GS	-	76	50	6.3	6	9.5	10	12.5	6	6.5	2	13	34	34	30	30	13	-	-	169
GN 237.3-A4-90-60-B-GS	90	-	60	8.3	8	12.5	13	16	8	8.5	3	17	25.5	56	-	36	22.5	18	22.5	320
GN 237.3-A4-120-60-B-GS	-	120	60	8.3	8	12.5	13	16	8	8.5	3	17	56	56	45	36	22.5	-	-	423
GN 237.3-A4-120-80-B-GS	120	-	80	10.3	10	14.5	15	20	10	10.5	4	21	36	75	-	50	30	25	30	712
GN 237.3-A4-160-80-B-GS	-	160	80	10.3	10	14.5	15	20	10	10.5	4	21	75	75	60	50	30	-	-	910

Hinges and accessories 12